

## CURVA A 90° CON DADO SPINATO/LIBERO - CONO A 60° CON O-RING - ISO 8434-6 (BSI 5200)

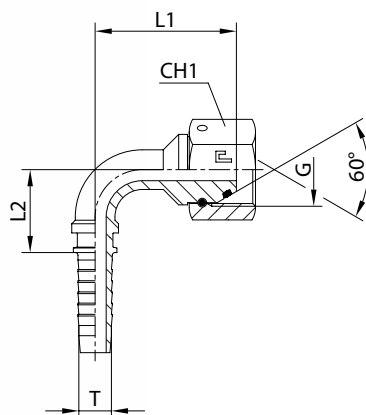
Filetto gas cilindrico

## 90° ELBOW THURST-WIRE/SLIP-ON NUT - 60° CONE WITH O-RING - ISO 8434-6 (BSI 5200)

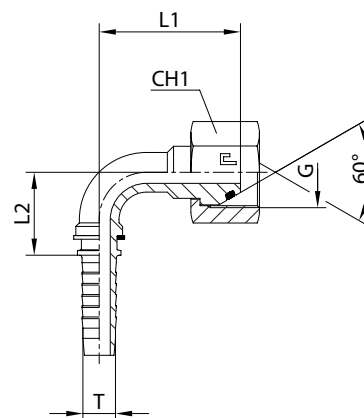
BSP parallel thread

Codice/Code: 7030..

Tipo/Type: DKOR90



FORMA X



FORMA Y

CODICE Code	Ø interno tubo T I.D. hose			G	FORMA Shape	L1	L2	CH1	PN WP [bar]
	DN	size	INCH						
703001	5	-3	3/16	1/8	X	26	22,5	14	400
703002	5	-3	3/16	1/4	X	29	22,5	19	400
703003	6	-4	1/4	1/8	X	27	22,5	14	400
703004	6	-4	1/4	1/4	X	30	22,5	19	400
703005	6	-4	1/4	3/8	X	32	22,5	22	400
703006	8	-5	5/16	1/4	X	36	27	19	350
703007	8	-5	5/16	3/8	X	37	27	22	350
703008	10	-6	3/8	1/4	X	40	31	19	400
703009	10	-6	3/8	3/8	X	38,5	31	22	400
703010	10	-6	3/8	1/2	X	43,5	31	27	350
703011	12	-8	1/2	3/8	X	44	38,5	22	400
703012	12	-8	1/2	1/2	X	45	38,5	27	350
703013	12	-8	1/2	5/8	X	46	38,5	30	350
703014	12	-8	1/2	3/4	X	48	38,5	32	315
703015	16	-10	5/8	5/8	X	49	43,5	30	350
703016	16	-10	5/8	3/4	X	51	43,5	32	315
703017	19	-12	3/4	3/4	X	60	50,5	32	315
703018	19	-12	3/4	1	X	69	50,5	41	250
703019	25	-16	1	1	X	70	70,5	41	250
703020	25	-16	1	1 1/4	X	76	70,5	50	200
703021	31	-20	1 1/4	1 1/4	X	89	82,5	50	200
703022	31	-20	1 1/4	1 1/2	X	94	82,5	55	160
703023	38	-24	1 1/2	1 1/2	X	104,5	108	55	160
703024	38	-24	1 1/2	2	X	111,5	108	70	125
703025	51	-32	2	2	X	127	144,5	70	125
703026	6	-4	1/4	1/2	X	37,5	22,5	27	350
703027	8	-5	5/16	1/2	X	42	27	27	350
703052	5	-3	3/16	1/4	Y	33	27	19	400
703054	6	-4	1/4	1/4	Y	33	27	19	400
703055	6	-4	1/4	3/8	Y	35	27	22	400
703057	8	-5	5/16	3/8	Y	35,5	28,5	22	350
703059	10	-6	3/8	3/8	Y	37	33,5	22	400
703060	10	-6	3/8	1/2	Y	42	33,5	27	350
703062	12	-8	1/2	1/2	Y	42,5	38	27	350
703063	12	-8	1/2	5/8	Y	43	38	30	350
703064	12	-8	1/2	3/4	Y	44,5	38	32	315
703066	16	-10	5/8	3/4	Y	46,5	43,5	32	315
703068	19	-12	3/4	1	Y	64	51	41	250
703070	25	-16	1	1 1/4	Y	72,5	70,5	50	200
703071	31	-20	1 1/4	1 1/4	Y	83	82,5	50	200
703072	31	-20	1 1/4	1 1/2	Y	88,5	82,5	55	160
703073	38	-24	1 1/2	1 1/2	Y	99	107,5	55	160
703074	38	-24	1 1/2	2	Y	105,5	108	70	125
703076	6	-4	1/4	1/2	Y	40	27	27	350
703077	8	-5	5/16	1/2	Y	40,5	28,5	27	350

NOTE: Desiderando ordinare il raccordo in acciaio inox, sostituire nel codice il 70.. iniziale con 71..

NOTE: If you wish to order a fitting in stainless steel, please change the first two digit from 70.. to 71..